

# AQUACELL A/AE



## Pressure boosting units

### Field of application

- > Drinking water supply
- > Industrial water supply
- > Process water supply
- > Air conditioning units
- > Irrigation

### Design

#### Aquacell A, ZL

With a non-self-priming, staged centrifugal pump with constant speed, incl. dry run protection in the feed line above 1.0 bar.

#### Aquacell AE

The units are turned on and off automatically via a pressure switched situated on the discharge side. An 18 l diaphragm pressure vessel is installed as a control in the pressure line. An electrical dry running protection is integrated. The speed control is carried out via a frequency converter fitted onto the motor and including LED display and keypad. Bluetooth monitoring is available via an app on the smartphone.

### Motor

Protection class: ..... IP 55  
Class of insulation: ..... F  
Voltage: ..... 3~ 230/400 V  $\pm$  10 %  
Speed: ..... 2850 rpm  
Frequency: ..... 50 Hz

### Special editions

- > Special voltages
- > Special elastomeres
- > Special mechanical seals
- > Higher fluid temperatures
- > Larger units

### Technical data

Flow rate: ..... Q up to max. 160 m<sup>3</sup>/h  
Total dynamic head: ..... H up to max. 250 m  
Fluid temperature: ..... t up to max. 50 °C  
Operating pressure: ..... p up to max. 25 bar

### Pumped fluid

Clear, moderately aggressive fluids, which don't chemically and mechanically attack the pump materials.

### Materials used

Pump housing: ..... stainless steel AISI 304  
Impellers: ..... stainless steel AISI 304  
O-rings: ..... EPDM  
Pump shaft: ..... stainless steel AISI 303  
Mechanical seal: ..... carbon/SiC/EPDM  
Fittings: ..... copper alloy  
Pipework: ..... stainless steel AISI 304  
Base frame: ..... stainless steel AISI 304

### Type key

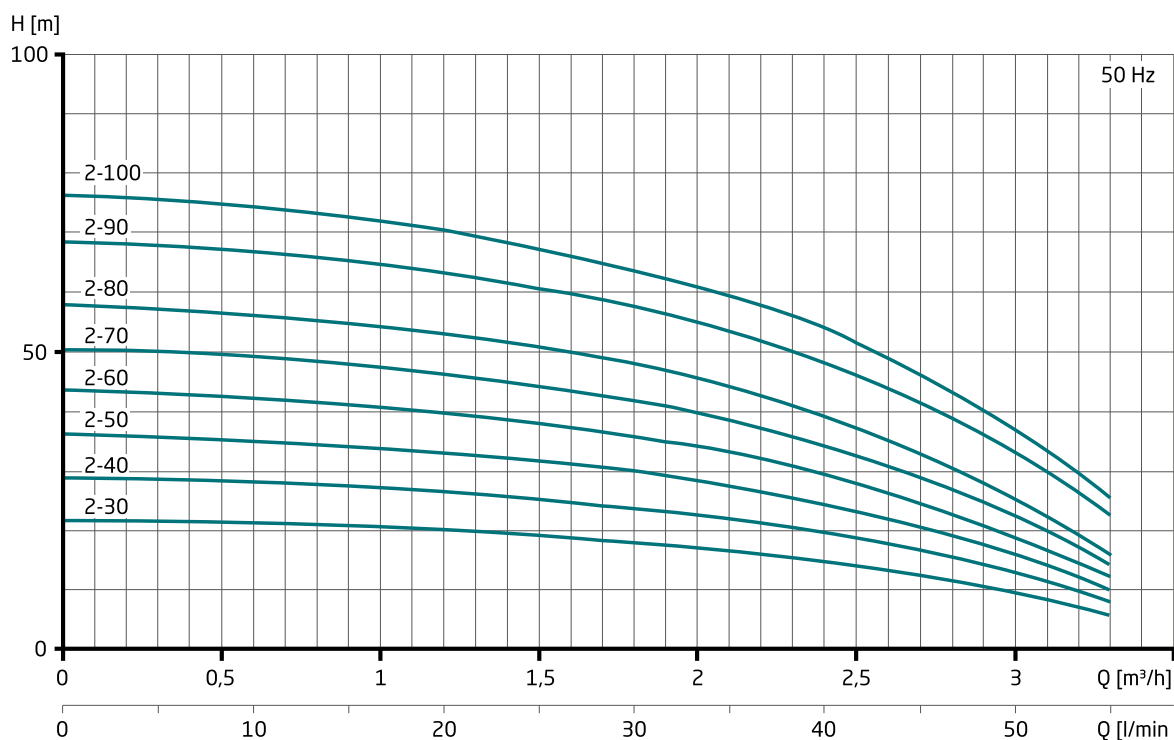
#### Aquacell A 4-70, VA, ZL

Aquacell: ..... unit type  
A: ..... standard  
E: ..... frequency controlled  
4: ..... pump size  
70: ..... number of stages x 10  
VA: ..... stainless steel version  
ZL: ..... dry run protection feed line (Standard)  
(DL = dry run protection pressure line)

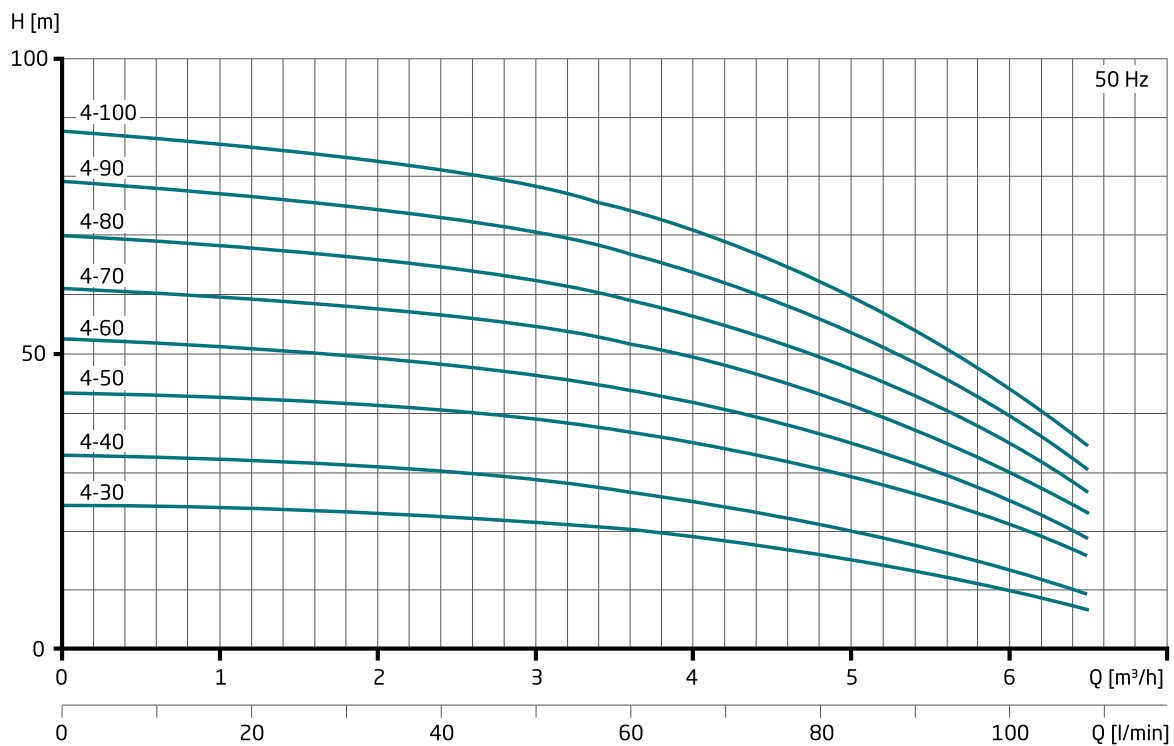


Characteristics

A/AE 2-30 to 2-100

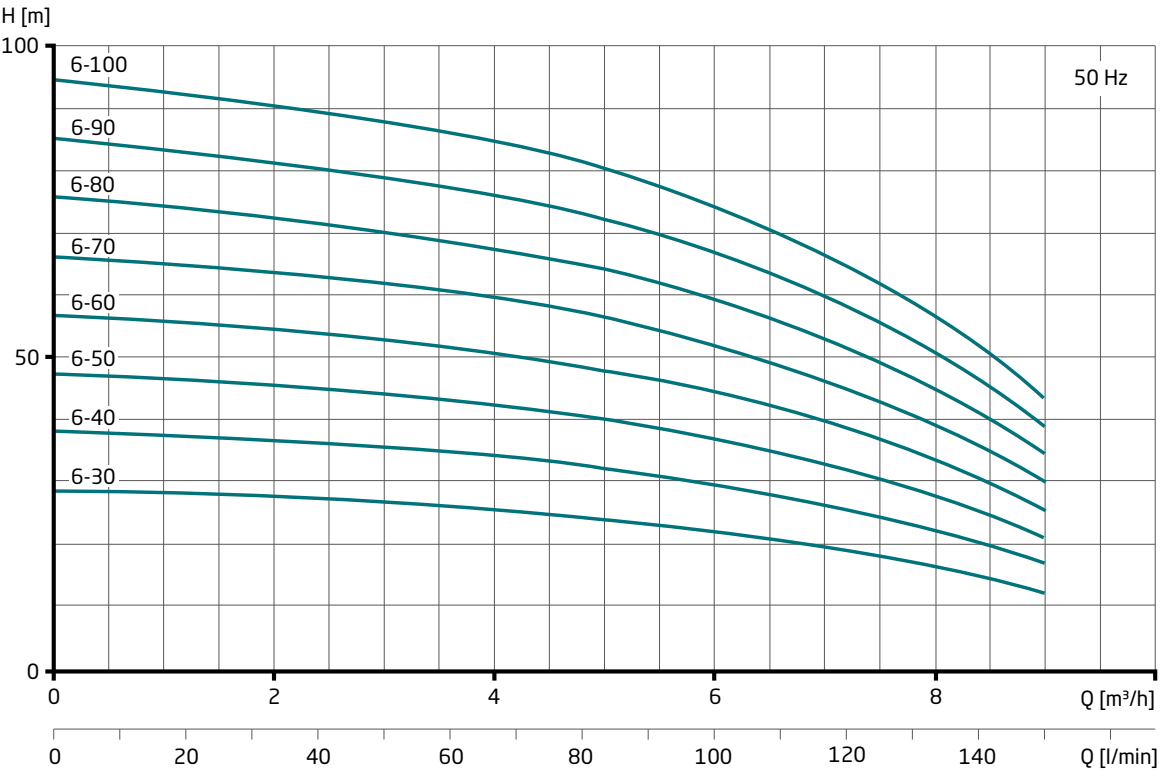


A/AE 4-30 to 4-100

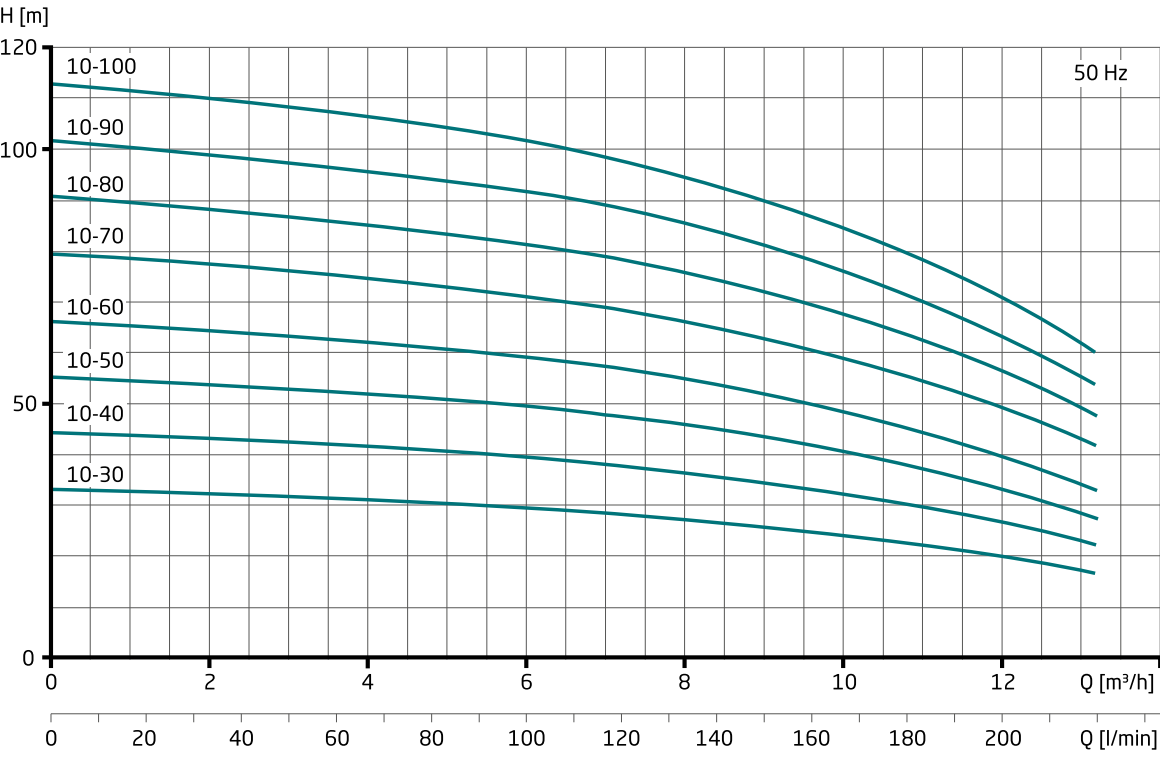


**Characteristics**

**A/AE 6-30 to 6-100**



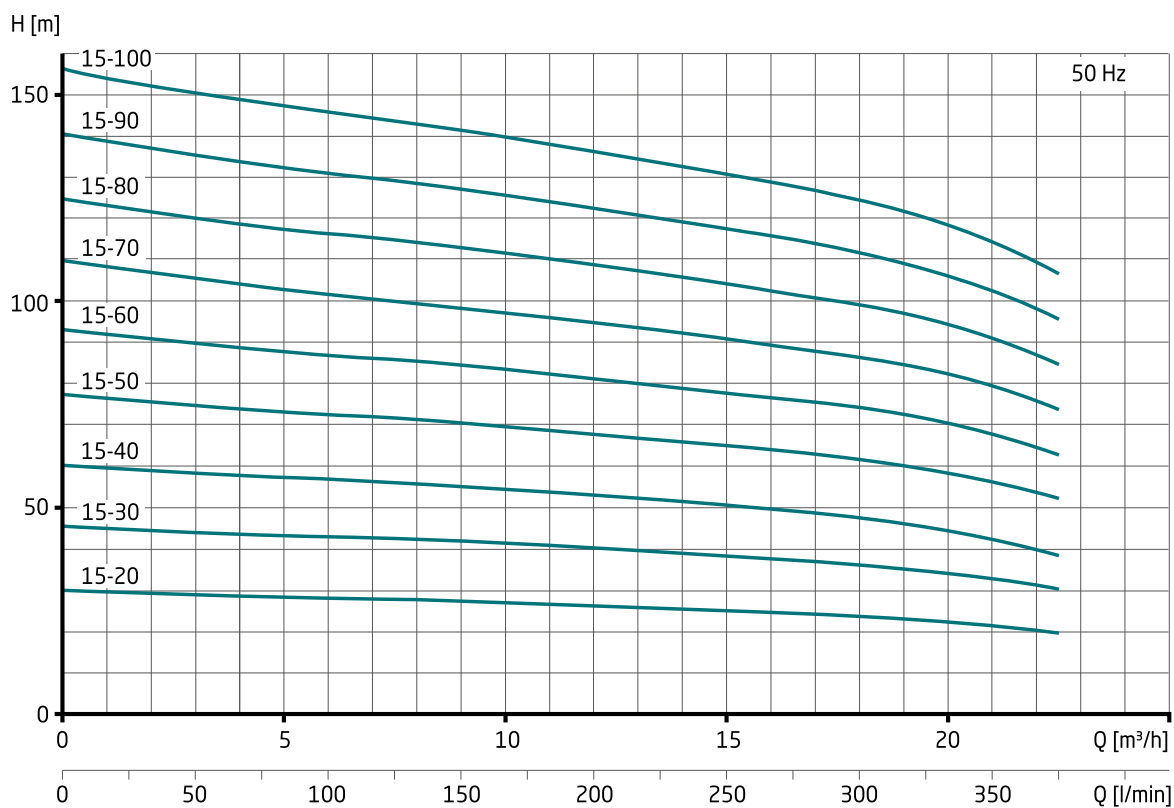
**A/AE 10-30 to 10-100**



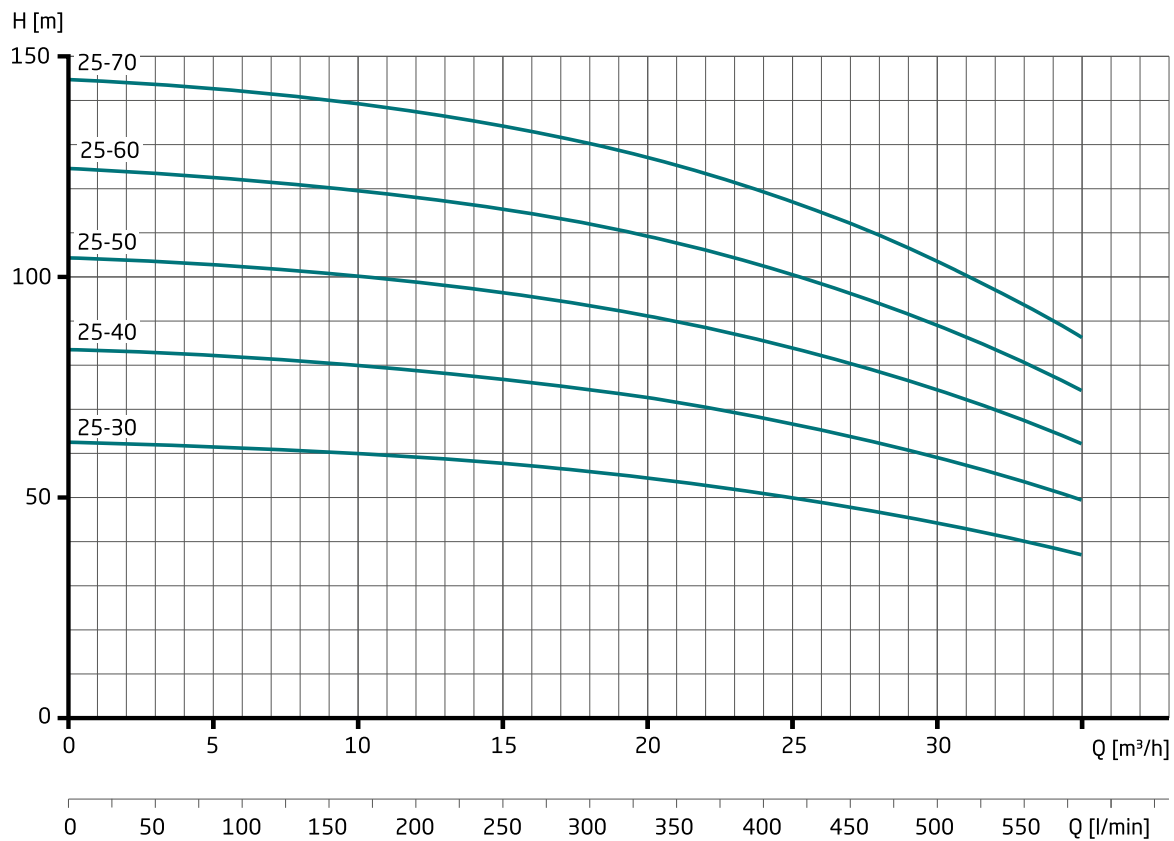


Characteristics

A/AE 15-20 to 15-100



A/AE 25-30 to 25-70



## Technical data

Typ	Inlet/Outlet connection (Rp/R)	Average flow rate (m <sup>3</sup> /h)	Operatin/target pressure (bar)	max. operating pressure (PN)*	Power output P <sub>2</sub> (kW)	Rated current (A) 3 x 400 V	Approx. weight (kg)
A/AE 2-30	Rp 1/R 1	2.50	1.40	10	0.37	0.95	30.00
A/AE 2-40	Rp 1/R 1	2.50	1.80	10	0.37	0.95	32.00
A/AE 2-50	Rp 1/R 1	2.50	2.40	10	0.37	0.95	33.00
A/AE 2-60	Rp 1/R 1	2.50	2.80	10	0.55	1.20	35.00
A/AE 2-70	Rp 1/R 1	2.50	3.40	10	0.55	1.20	35.00
A/AE 2-80	Rp 1/R 1	2.50	3.70	10	0.55	1.20	38.00
A/AE 2-90	Rp 1/R 1	2.50	4.60	10	0.75	1.80	39.00
A/AE 2-100	Rp 1/R 1	2.50	5.20	16	0.75	1.80	39.00
A/AE 4-30	Rp 1 ¼/R 1 ¼	4.00	1.90	10	0.55	1.20	33.00
A/AE 4-40	Rp 1 ¼/R 1 ¼	4.00	2.60	10	0.55	1.20	34.00
A/AE 4-50	Rp 1 ¼/R 1 ¼	4.00	3.50	10	0.75	1.80	36.00
A/AE 4-60	Rp 1 ¼/R 1 ¼	4.00	4.30	10	1.10	2.30	37.00
A/AE 4-70	Rp 1 ¼/R 1 ¼	4.00	4.90	10	1.10	2.30	37.00
A/AE 4-80	Rp 1 ¼/R 1 ¼	4.00	5.60	10	1.50	3.20	43.00
A/AE 4-90	Rp 1 ¼/R 1 ¼	4.00	6.40	16	1.50	3.20	44.00
A/AE 4-100	Rp 1 ¼/R 1 ¼	4.00	7.20	16	1.50	3.20	44.00
A/AE 6-30	Rp 1 ¼/R 1 ¼	6.00	2.20	10	0.75	1.80	36.00
A/AE 6-40	Rp 1 ¼/R 1 ¼	6.00	2.90	10	1.10	2.30	36.00
A/AE 6-50	Rp 1 ¼/R 1 ¼	6.00	3.70	10	1.10	2.30	37.00
A/AE 6-60	Rp 1 ¼/R 1 ¼	6.00	4.40	10	1.50	3.20	43.00
A/AE 6-70	Rp 1 ¼/R 1 ¼	6.00	5.30	10	1.50	3.20	43.00
A/AE 6-80	Rp 1 ¼/R 1 ¼	6.00	5.90	16	2.20	4.60	45.00
A/AE 6-90	Rp 1 ¼/R 1 ¼	6.00	6.60	16	2.20	4.60	45.00
A/AE 6-100	Rp 1 ¼/R 1 ¼	6.00	7.40	16	2.20	4.60	46.00
A/AE 10-30	Rp 2/R 1 ½	8.00	2.70	10	1.10	2.30	51.00
A/AE 10-40	Rp 2/R 1 ½	8.00	3.70	10	1.50	3.20	54.00
A/AE 10-50	Rp 2/R 1 ½	8.00	4.60	10	2.20	4.60	58.00
A/AE 10-60	Rp 2/R 1 ½	8.00	5.50	10	2.20	4.60	60.00
A/AE 10-70	Rp 2/R 1 ½	8.00	6.60	10	3.00	5.80	66.00
A/AE 10-80	Rp 2/R 1 ½	8.00	7.60	16	3.00	5.80	68.00
A/AE 10-90	Rp 2/R 1 ½	8.00	8.50	16	4.00	7.40	75.00
A/AE 10-100	Rp 2/R 1 ½	8.00	9.50	16	4.00	7.40	76.00
A/AE 15-20	Rp 2/R 2	15.00	2.50	10	2.20	4.60	68.00
A/AE 15-30	Rp 2/R 2	15.00	3.80	10	3.00	5.80	77.00
A/AE 15-40	Rp 2/R 2	15.00	5.10	10	4.00	7.40	88.00
A/AE 15-50	Rp 2/R 2	15.00	6.50	10	5.50	10.00	114.00
A/AE 15-60	Rp 2/R 2	15.00	7.80	16	7.50	13.30	127.00
A/AE 15-70	Rp 2/R 2	15.00	9.10	16	7.50	13.30	129.00
A/AE 15-80	Rp 2/R 2	15.00	10.40	16	11.00	19.30	199.00
A/AE 15-90	Rp 2/R 2	15.00	11.70	16	11.00	19.30	202.00
A/AE 15-100	Rp 2/R 2	15.00	13.00	16	11.00	19.30	208.00
A/AE 25-30	DN65/DN65	25.00	5.00	10	5.50	10.00	139.00
A/AE 25-40	DN65/DN65	25.00	6.70	10	7.50	13.30	146.00
A/AE 25-50	DN65/DN65	25.00	8.30	16	11.00	19.30	217.00
A/AE 25-60	DN65/DN65	25.00	10.00	16	11.00	19.30	223.00
A/AE 25-70	DN65/DN65	25.00	11.70	16	15.00	26.20	232.00

\* Higher operating pressures on request

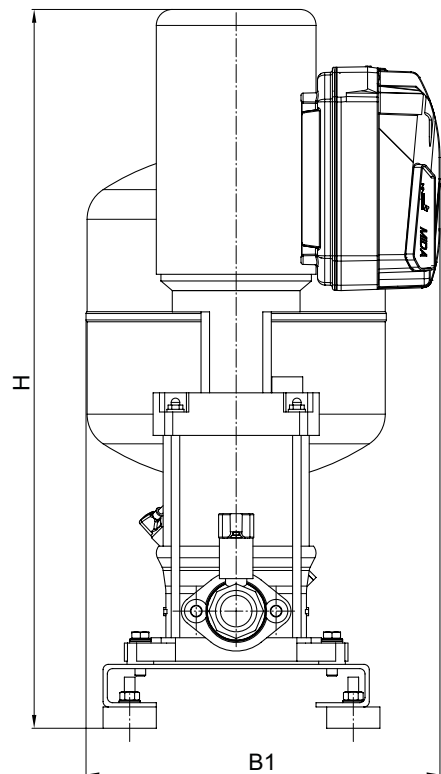
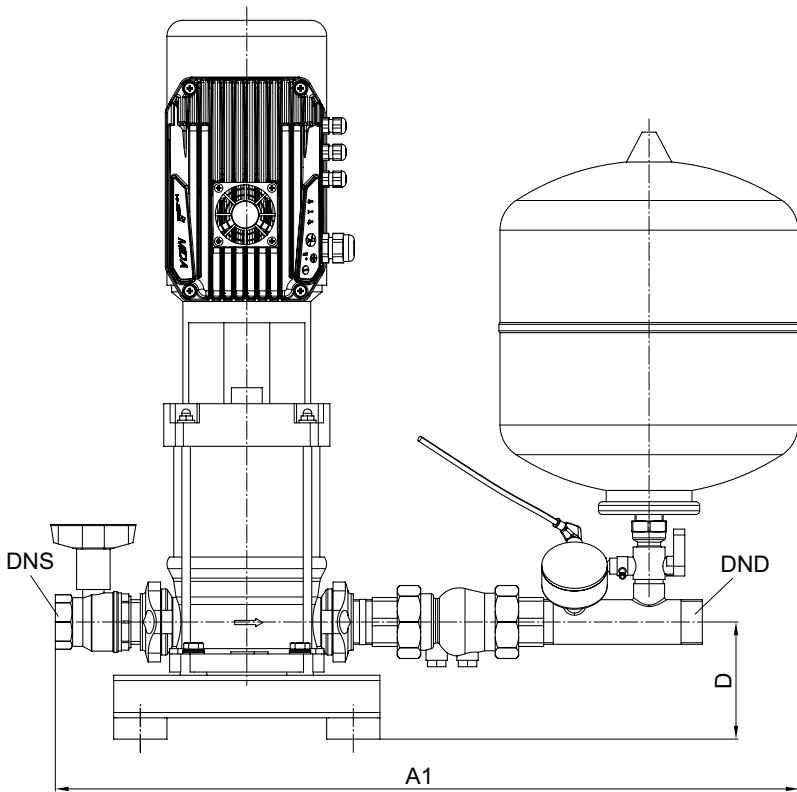
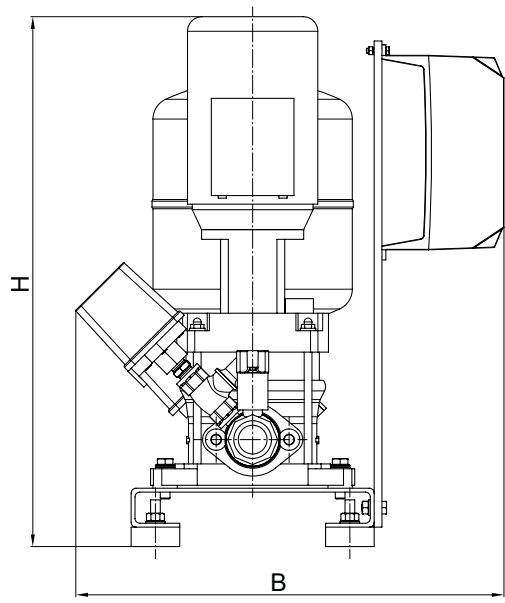
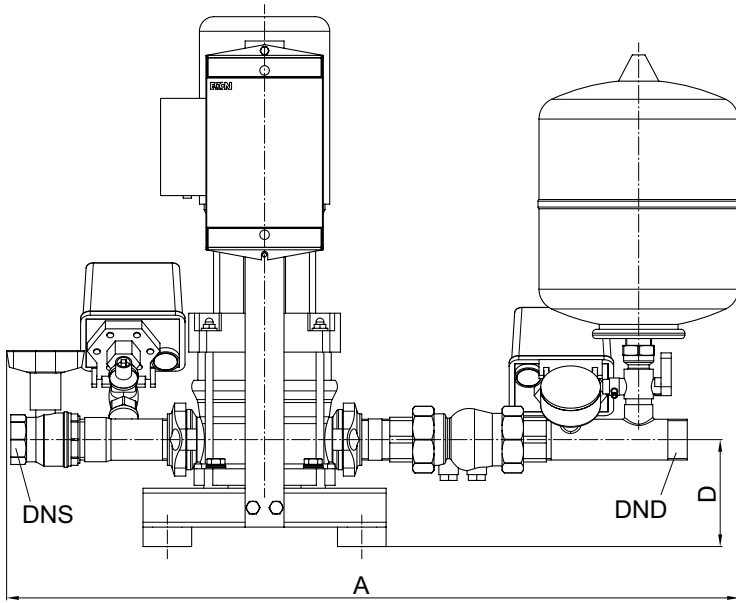


## Order information

Type	Article no.	Net RRP	Gross RRP
A 2-30	562.1000.000	2,048.49 €	2,437.70 €
A 2-40	562.2000.000	2,089.55 €	2,486.56 €
A 2-50	562.3000.000	2,130.53 €	2,535.33 €
A 2-60	562.4000.000	2,160.02 €	2,570.42 €
A 2-70	562.5000.000	2,183.99 €	2,598.95 €
A 2-80	562.6000.000	2,208.14 €	2,627.69 €
A 2-90	562.7000.000	2,243.07 €	2,669.25 €
A 2-100	562.8000.000	2,270.55 €	2,701.95 €
A 4-30	560.1000.000	2,166.58 €	2,578.23 €
A 4-40	560.2000.000	2,216.26 €	2,637.35 €
A 4-50	560.3000.000	2,284.74 €	2,718.84 €
A 4-60	560.4000.000	2,318.04 €	2,758.47 €
A 4-70	560.5000.000	2,345.79 €	2,791.49 €
A 4-80	560.6000.000	2,412.07 €	2,870.36 €
A 4-90	561.0409.000	2,447.84 €	2,912.93 €
A 4-100	560.7000.000	2,493.24 €	2,966.96 €
A 6-30	561.1000.000	2,218.64 €	2,640.18 €
A 6-40	561.2000.000	2,293.31 €	2,729.04 €
A 6-50	561.3000.000	2,348.09 €	2,794.23 €
A 6-60	561.4000.000	2,461.90 €	2,929.66 €
A 6-70	561.5000.000	2,521.14 €	3,000.16 €
A 6-80	561.6000.000	2,546.04 €	3,029.79 €
A 6-90	561.7000.000	2,599.72 €	3,093.67 €
A 6-100	561.8000.000	2,653.39 €	3,157.53 €
A 10-30	564.1000.000	2,669.86 €	3,177.13 €
A 10-40	564.2000.000	2,765.14 €	3,290.52 €
A 10-50	564.3000.000	3,159.93 €	3,760.32 €
A 10-60	564.4000.000	3,239.20 €	3,854.65 €
A 10-70	564.5000.000	3,304.19 €	3,931.99 €
A 10-80	564.6000.000	3,383.46 €	4,026.32 €
A 10-90	564.7000.000	3,530.85 €	4,201.71 €
A 10-100	561.1010.000	3,574.84 €	4,254.06 €
A 15-20	565.0000.000	3,008.79 €	3,580.46 €
A 15-30	565.1000.000	3,102.23 €	3,691.65 €
A 15-40	565.2000.000	4,237.67 €	5,042.83 €
A 15-50	565.3000.000	4,612.41 €	5,488.77 €
A 15-60	565.4000.000	4,940.69 €	5,879.42 €
A 15-70	565.5000.000	5,020.81 €	5,974.76 €
A 15-80	565.6000.000	5,474.82 €	6,515.04 €
A 15-90	561.1509.000	5,955.85 €	7,087.46 €
A 15-100	565.7000.000	6,194.63 €	7,371.61 €
A 25-30	561.2503.000	5,894.08 €	7,013.96 €
A 25-40	561.2504.000	6,348.42 €	7,554.62 €
A 25-50	561.2505.000	7,849.59 €	9,341.01 €
A 25-60	561.2506.000	8,194.20 €	9,751.10 €
A 25-70	561.2507.000	8,849.84 €	10,531.31 €
Commissioning (Net)	INBK02	550.00 €	654.50 €

Type	Article no.	Net RRP	Gross RRP
AE 2-30	562.1001.000	2,867.91 €	3,412.81 €
AE 2-40	562.2001.000	2,883.08 €	3,430.87 €
AE 2-50	562.3001.000	2,898.26 €	3,448.93 €
AE 2-60	562.4001.000	2,913.43 €	3,466.98 €
AE 2-70	562.5001.000	2,925.57 €	3,481.43 €
AE 2-80	562.6001.000	2,940.72 €	3,499.46 €
AE 2-90	562.7001.000	2,980.40 €	3,546.68 €
AE 2-100	562.8001.000	3,001.26 €	3,571.50 €
AE 4-30	560.1001.000	2,888.30 €	3,437.08 €
AE 4-40	560.2001.000	2,944.75 €	3,504.25 €
AE 4-50	560.3001.000	3,022.56 €	3,596.85 €
AE 4-60	560.4001.000	3,060.41 €	3,641.89 €
AE 4-70	560.5001.000	3,091.92 €	3,679.38 €
AE 4-80	560.6001.000	3,268.96 €	3,890.06 €
AE 4-90	561.0409.500	3,352.57 €	3,989.56 €
AE 4-100	560.7001.000	3,393.23 €	4,037.94 €
AE 6-30	561.1001.000	3,000.79 €	3,570.94 €
AE 6-40	561.2001.000	3,032.30 €	3,608.44 €
AE 6-50	561.3001.000	3,094.55 €	3,682.51 €
AE 6-60	561.4001.000	3,325.59 €	3,957.45 €
AE 6-70	561.5001.000	3,338.30 €	3,972.58 €
AE 6-80	561.6001.000	3,392.92 €	4,037.57 €
AE 6-90	561.7001.000	3,401.03 €	4,047.23 €
AE 6-100	561.8001.000	3,462.03 €	4,119.82 €
AE 10-30	564.1001.000	3,355.97 €	3,993.60 €
AE 10-40	564.2001.000	3,565.92 €	4,243.44 €
AE 10-50	564.3001.000	3,943.77 €	4,693.09 €
AE 10-60	564.4001.000	4,033.85 €	4,800.28 €
AE 10-70	564.5001.000	4,528.44 €	5,388.84 €
AE 10-80	564.6001.000	4,620.27 €	5,498.12 €
AE 10-90	561.1009.500	4,717.16 €	5,613.42 €
AE 10-100	561.1010.500	4,767.15 €	5,672.91 €
AE 15-20	565.0001.000	3,854.97 €	4,587.41 €
AE 15-30	565.1001.000	4,359.90 €	5,188.28 €
AE 15-40	565.2001.000	4,513.02 €	5,370.49 €
AE 15-50	565.3001.000	5,082.77 €	6,048.50 €
AE 15-60	565.4001.000	6,035.20 €	7,181.89 €
AE 15-70	565.5001.000	6,222.44 €	7,404.70 €
AE 15-80	565.6001.000	7,186.87 €	8,552.38 €
AE 15-90	561.1509.500	7,340.49 €	8,735.18 €
AE 15-100	565.7001.000	7,489.05 €	8,911.97 €
AE 25-30	561.2503.500	6,548.97 €	7,793.27 €
AE 25-40	561.2504.500	7,053.80 €	8,394.02 €
AE 25-50	561.2505.500	8,721.76 €	10,378.89 €
AE 25-60	561.2506.500	9,104.68 €	10,834.57 €
AE 25-70	561.2507.500	9,833.16 €	11,701.46 €
Commissioning (Net)	INBK02	550.00 €	654.50 €

Dimensions





## Dimensions

Type	A	A1	B	B1	D	H
A/AE 2-30	754	684	440	326	110	560
A/AE 2-40	754	684	440	326	110	585
A/AE 2-50	754	684	440	324	110	605
A/AE 2-60	754	684	440	324	110	650
A/AE 2-70	754	684	440	323	110	670
A/AE 2-80	754	684	440	323	110	700
A/AE 2-90	754	684	440	333	110	715
A/AE 2-100	754	684	440	333	110	735
A/AE 4-30	754	684	440	392	110	585
A/AE 4-40	754	684	440	392	110	605
A/AE 4-50	754	684	440	340	110	630
A/AE 4-60	754	684	440	340	110	680
A/AE 4-70	754	684	440	340	110	700
A/AE 4-80	754	684	440	359	110	750
A/AE 4-90	754	684	440	359	110	770
A/AE 4-100	754	684	440	359	110	795
A/AE 6-30	754	699	440	341	110	595
A/AE 6-40	754	699	440	341	110	650
A/AE 6-50	754	699	440	332	110	675
A/AE 6-60	754	699	440	332	110	730
A/AE 6-70	754	699	440	360	110	755
A/AE 6-80	754	699	440	360	110	805
A/AE 6-90	754	699	440	360	110	830
A/AE 6-100	754	699	440	360	110	855
A/AE 10-30	878	790	496	385	140	700
A/AE 10-40	878	790	496	405	140	750
A/AE 10-50	878	790	496	405	140	805
A/AE 10-60	878	790	496	405	140	830
A/AE 10-70	878	790	496	413	140	875
A/AE 10-80	878	790	496	413	140	905
A/AE 10-90	878	790	496	436	140	960
A/AE 10-100	878	790	496	436	140	985
A/AE 15-20	1016	962	496	474	150	724
A/AE 15-30	1016	962	496	489	150	811
A/AE 15-40	1016	962	496	510	150	891
A/AE 15-50	1016	962	496	531	150	1090
A/AE 15-60	1016	962	496	531	150	1130
A/AE 15-70	1016	962	496	531	150	1170
A/AE 15-80	1016	962	496	555	150	1330
A/AE 15-90	1016	962	496	555	150	1385
A/AE 15-100	1016	962	496	555	150	1420
A/AE 25-30	873	873	573	531	190	1151
A/AE 25-40	873	873	573	531	190	1216
A/AE 25-50	873	873	573	555	190	1412
A/AE 25-60	873	873	573	555	190	1477
A/AE 25-70	873	873	573	555	190	1542